

Ecoflo[®] Coco Filter

Sewage Treatment Plant
Domestic and commercial applications



**WASTEWATER
TREATMENT**



Protecting the value of properties and the ecological health of lakes, waterways and groundwater.



**100,000
SYSTEMS INSTALLED!**

Sustainable Treatment

**Permanent and
Durable Solution**

**Reliability
under all Conditions**

**Compact and
All-Purpose Installation**

Designed for new homes, cottages as well as the replacement of defective existing systems.

Ecoflo Coco Filter sewage treatment plant is the most ecological solution on the market for residential and commercial projects where mains drainage is unavailable. It can be used as a secondary or tertiary treatment unit. With ZERO energy required for the treatment, it is no wonder the Ecoflo Coco Filter has over 100,000 installations. This unit surpasses the most stringent environmental requirements. Economical, so easy to install, operate and maintain, Ecoflo Coco Filter is the number ONE treatment filter in the world. Why install anything else?

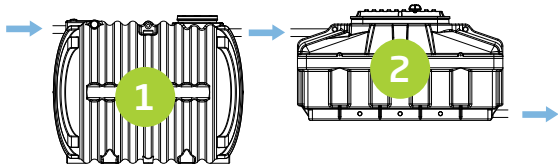
HOW IT WORKS

- 1 Septic tank**
Collects all the domestic wastewater (except excess flow) and is ventilated in accordance with local Building Regulations. Equipped with an effluent filter that captures coarse matter and particles to protect the Ecoflo Coco filter.
- 2 Ecoflo Coco Filter**
Uses gravity to collect pretreated water, which is then spread out over the surface of the filtering media using a patented distribution system comprised of a feed ramp, a tipping bucket and distribution plates.
- 3 Filtering media**
The coco husk fragment-based filtering media is where the water is organically treated and filtered and where pollutants are retained and degraded.

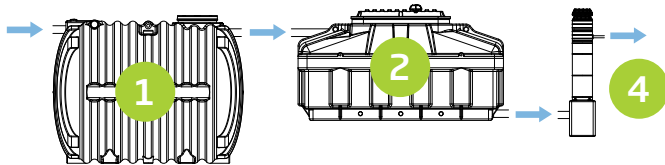


- 4 Sampling chamber (or pumping station)**
Allows for the proper functioning of the system and/or to direct the treated effluent toward a drainage field/soakaway. The high outlet makes it possible to use a specific pumping station (optional) to evacuate and discharge the water.

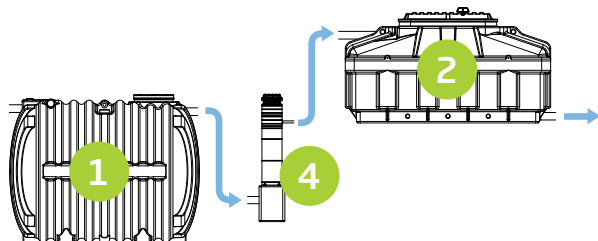
TYPICAL INSTALLATIONS



Septic Tank – Ecoflo[®] Coco Filter



Septic Tank – Ecoflo[®] Coco Filter – Pumping station

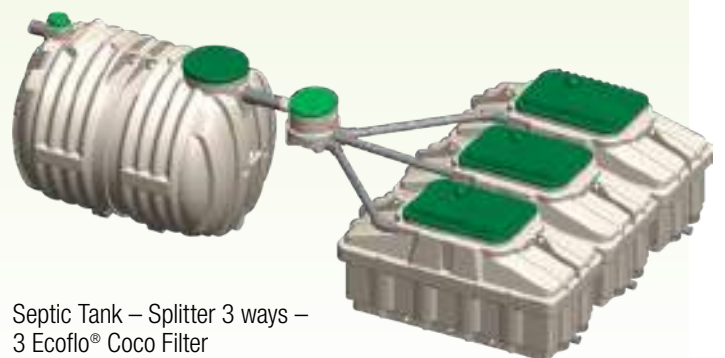


2 Septic Tank – Pumping station – Ecoflo[®] Coco Filter (above ground)

CLUSTER



Septic Tank – Splitter 2 ways –
2 Ecoflo[®] Coco Filter



Septic Tank – Splitter 3 ways –
3 Ecoflo[®] Coco Filter

SPECIFICATIONS

- All applications must be specified to comply with the BS EN 12566-3 standard.
- Expert advice and assistance is available from our experienced internal and external sales teams.
- Site visits and assessments are recommended prior to installation to ensure the correct equipment is proposed.
- The installation, use and operation of the system must be carried out as per the manufacturer's instructions (Installation, Operation and Maintenance Manual).

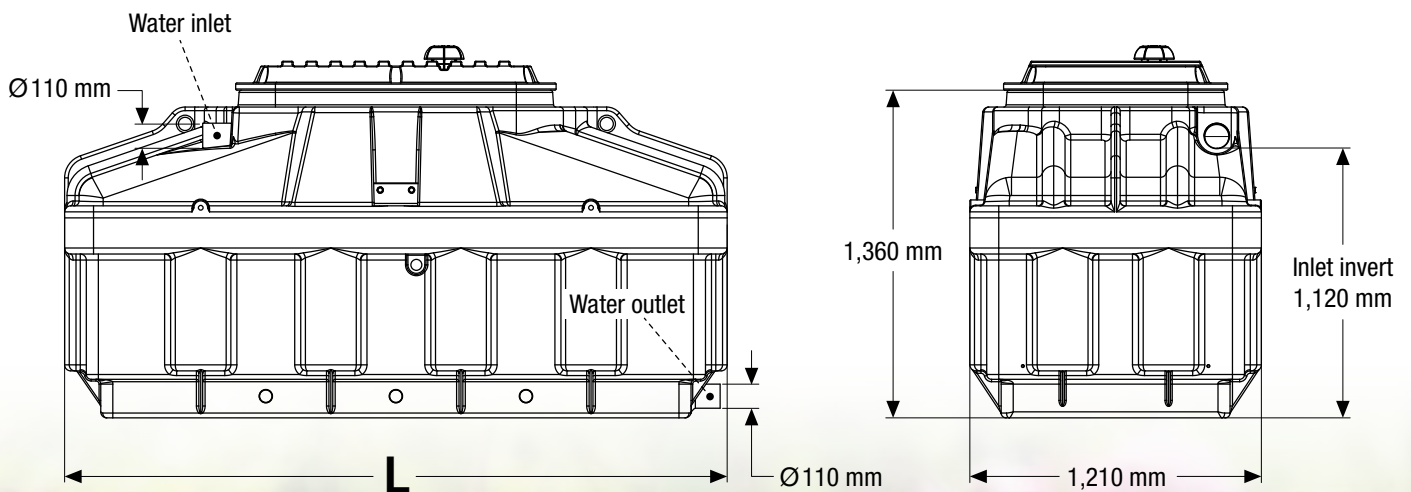


TREATMENT PERFORMANCES (Tested under EN 12566-3)

Parameters	TSS	BOD ₅	TKN	Ammonia
Influent	361 ± 89 mg/L	310 ± 68 mg/L	90 ± 19 mg/L	65 ± 9 mg/L
Treated Effluent	8 ± 6 mg/L	7 ± 3 mg/L	13 ± 11 mg/L	11 ± 10 mg/L
Removal	96%	97%	86%	84%

Ecoflo[®] Coco Filter SECONDARY TREATMENT UNIT TECHNICAL DATA

Filter Surface	Capacity	Hydraulic Loading	Length	Primary Tank	Splitter	Ecoflo Secondary Treatment
2.60 m ²	4 PE	600 L/d	2,420 mm	3 m ³	N/A	Ecoflo 4 PE
3.25 m ²	5 PE	750 L/d	2,750 mm	3 m ³	N/A	Ecoflo 5 PE
3.90 m ²	6 PE	900 L/d	3,320 mm	4 m ³	N/A	Ecoflo 6 PE
5.20 m ²	8 PE	1,200 L/d	2,550 mm	4 m ³	2 ways	2 x Ecoflo 4 PE
6.50 m ²	10 PE	1,500 L/d	2,750 mm	5 m ³	2 ways	2 x Ecoflo 5 PE
7.80 m ²	12 PE	1,800 L/d	3,320 mm	6 m ³	2 ways	2 x Ecoflo 6 PE
9.75 m ²	15 PE	2,250 L/d	2,750 mm	8 m ³	3 ways	3 x Ecoflo 5 PE
11.70 m ²	18 PE	2,700 L/d	3,320 mm	10 m ³	3 ways	3 x Ecoflo 6 PE
13.00 m ²	20 PE	3,000 L/d	2,750 mm	10 m ³	4 ways	4 x Ecoflo 5 PE

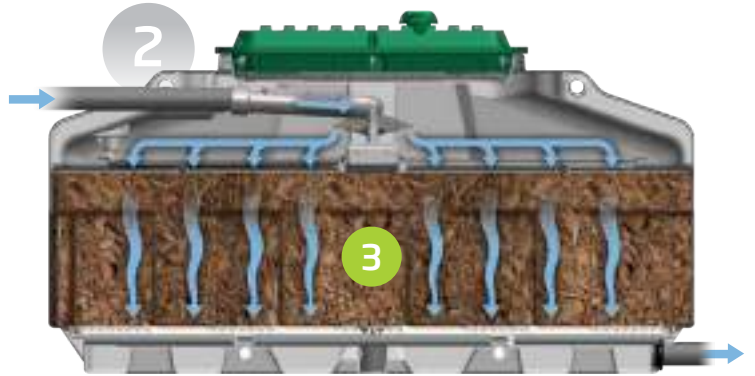


Ecoflo[®] Coco Filter TERTIARY TREATMENT UNIT

Ecoflo Coco Filter can also be installed as a final treatment stage to further improve the effluent quality before it is discharged safely to the receiving environment – this is called a tertiary treatment. Designed for both new builds and existing properties, Ecoflo Coco Filter as a tertiary treatment unit can be installed after any sewage treatment plant. You benefit from a truly flexible and highly performing system. Also recommended for commercial projects.

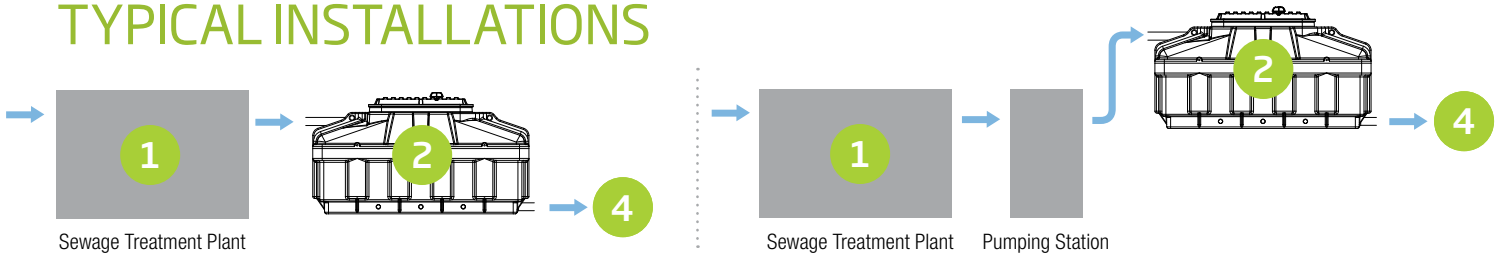
HOW IT WORKS

- 1 **Sewage Treatment Plant (secondary treatment)**
Treats domestic wastewater as per local regulations.
- 2 **Ecoflo Coco Filter**
Provides a final treatment stage to further improve the effluent quality before it is discharged to the receiving environment. Spreads out the influent over the surface of the filtering media thanks to a patented distribution system comprised of a feed ramp, a tipping bucket and distribution plates.
- 3 **Filtering Media**
The coco husk fragment-based filtering media is where the water is organically further treated and filtered and where pollutants are retained and degraded.



- 4 **Final Discharge**
The treated wastewater is discharged directly to a gravel distribution bed installed below the unit.

TYPICAL INSTALLATIONS



THE BEST CHOICE

- Send us the name of your engineer and we will liaise with them for you.
- We supply either a full Wastewater Treatment kit or only the Ecoflo Coco Filter – Tertiary Treatment Filter along with 15 m of interconnecting pipework and fittings.



**PROTECT
YOUR PROPERTY,
YOUR ENVIRONMENT
& YOUR INVESTMENT.**

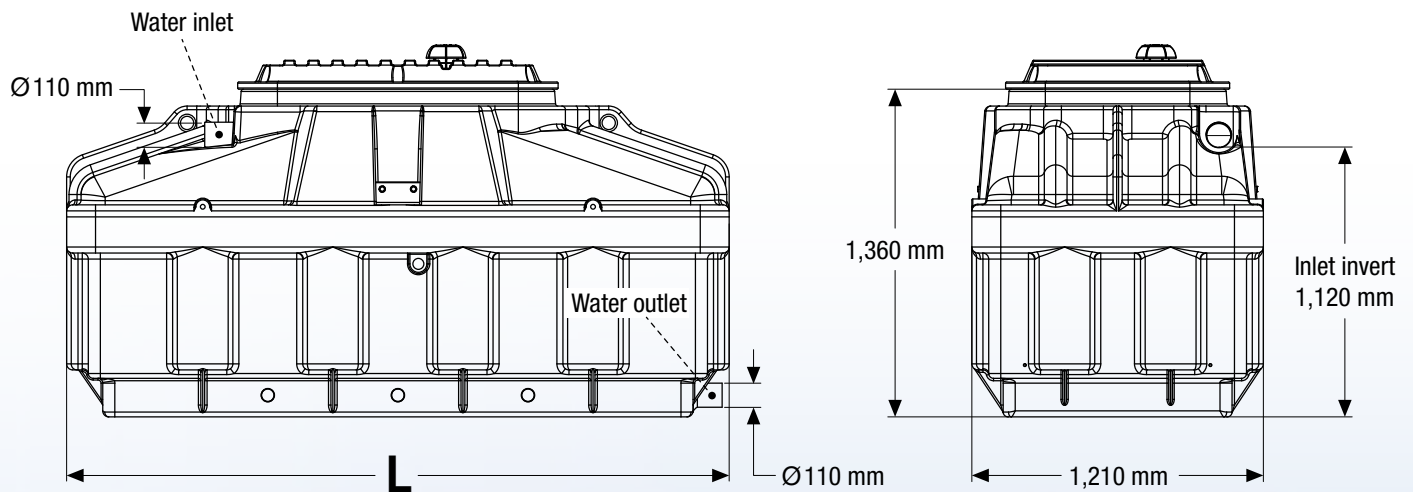


TREATMENT PERFORMANCES

Parameters	TSS	BOD ₅	TKN	Ammonia
Influent	27 ± 8 mg/L	16 ± 3 mg/L	38 ± 12 mg/L	37 ± 12 mg/L
Treated Effluent	5 ± 3 mg/L	3 ± 1 mg/L	4 ± 3 mg/L	4 ± 3 mg/L

Ecoflo[®] Coco Filter TERTIARY TREATMENT UNIT TECHNICAL DATA

Filter Surface	Capacity	Hydraulic Loading	Length	Splitter	Ecoflo Tertiary Treatment
2.60 m ²	10 PE	1,500 L/d	2,420 mm	N/A	Ecoflo 10 PE
3.25 m ²	13 PE	1,950 L/d	2,750 mm	N/A	Ecoflo 13 PE
3.90 m ²	15 PE	2,250 L/d	3,320 mm	N/A	Ecoflo 15 PE
5.20 m ²	20 PE	3,000 L/d	2,550 mm	2 ways	2 x Ecoflo 10 PE
6.50 m ²	26 PE	3,900 L/d	2,750 mm	2 ways	2 x Ecoflo 13 PE
7.80 m ²	30 PE	4,500 L/d	3,320 mm	2 ways	2 x Ecoflo 15 PE
9.75 m ²	39 PE	5,850 L/d	2,750 mm	3 ways	3 x Ecoflo 13 PE
11.70 m ²	45 PE	6,750 L/d	3,320 mm	3 ways	3 x Ecoflo 15 PE
13.00 m ²	52 PE	7,800 L/d	2,750 mm	4 ways	4 x Ecoflo 13 PE





SUSTAINABLE TREATMENT

This system incorporates a patented coconut husk fragment-based tertiary filtering media, a rehabilitated and natural organic material requiring no energy to treat wastewater. Odorless system.

PERMANENT AND DURABLE SOLUTION

Compared to conventional systems, no excavation or relocation of the unit at the end of the cycle of the filtering media is required. Internal components are accessible through the lid at all times.

RELIABILITY UNDER ALL CONDITIONS

Provides highly reliable and proven performances, regardless of variations in water quality and living habits of occupants (seasonal activities, flow intensity and non-flow periods).

PRE-ASSEMBLED, COMPACT, EASY TO HANDLE

Requires up to 3 times less space than conventional systems for optimal use of the property.



- ✓ 20 years of proven performance
- ✓ Recognized for its simplicity, reliability and durability
- ✓ No energy or electro-mechanical devices required for the treatment
- ✓ Replacement of the filtering media at its end of life without disruption to the existing landscaping

LOW COSTS

Offered as a Ready-to-Use system, this unit is comparatively much quicker to install – between ½ day and 2 days depending on ground conditions. Combined to its zero energy for treatment, this system offers you by far the best quality to pricing ratio.

Ecoflo® Coco Filter is a patented biological filter which serves as a physical barrier that retains pollutants. Offered as a ready-to-use system, the filtering media and components are pre-assembled at the factory to ensure quality and facilitate installations. The unit is lightweight and easy to handle, even in tight spaces. Ecoflo Coco Filter can be installed in any soil type and for a population range between 4 and 20 PE. The coco filtering media technology is designed for a prolonged life. Lasting up to 15 years depending on usage and in compliance with the operation and maintenance manual.

YOU MAY ALSO BE INTERESTED BY

Ecoflo Coco Filter - Extension Kit

- Sampling chamber
- Hydroflo pumping station
- Rectangular riser/manhole
- Anchoring mechanism
- Prelev'flo pumping station
- External feed distributor

Septic Tanks

The highly successful range of Conder® Low Profile Septic Tanks offers some of the most advanced technical design qualities in the industry: reinforced HDPE septic tanks for concrete backfill and NEW super reinforced for granular backfill.

- Built-in impingement pre-filters that prevent suspended solids from entering the external pipework and drainage field.
- Uniquely designed for a shallow dig to enhance performance durability.
- Reduced installation and maintenance costs.
- Durable polyethylene structure.
- Lockable pedestrian access cover and variable invert level.
- Fully CE approved and tested to EN 12566-1.



Septic Tank – 3 m³ to 10 m³ available

Rainwater Harvesting

Rewatec F-LINE Garden system is a great addition to installing an Ecoflo® Coco Filter. Whilst undertaking the necessary groundwork to install a sewage system, it is a breeze to put in a simple Rainwater Harvesting system that will give you a large volume of water to use on your garden, saving you money on your water bill, and adding a long-term feature to your property. The F-LINE tank requires no concrete to install, and being a shallow tank, offers an easy and safe option over traditional round tanks.

- 25-year tank warranty
- Pedestrian cover with child proof locks
- Drivable option available
- Pressure pump with auto start/stop and dry run protection
- No concrete required
- Available in 1,500-15,000 litres

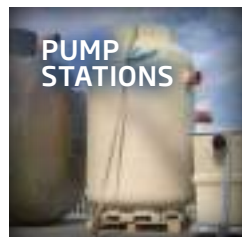


Premier Tech Aqua

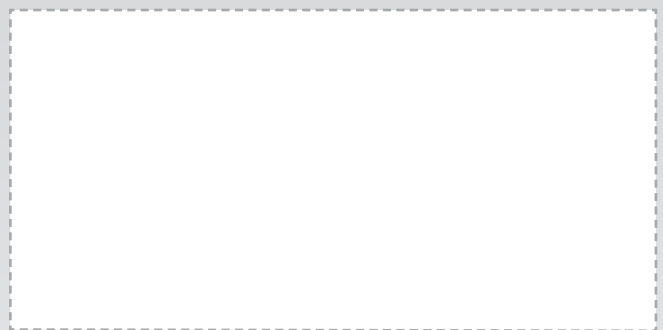
Know-how recognized around the world

World leader in onsite and decentralized wastewater treatment, rainwater harvesting, stormwater management, liquid storage and pump stations, Premier Tech Aqua (PTA) specializes in the design and manufacturing of innovative and durable products for the residential and municipal, commercial, community, institutional and industrial markets. Offered as ready-to-use, mobile or built on site, the proven solutions of PTA are available to the North American, European and Asian markets. Each product is supported by a rigorous program of inspection, maintenance and follow-ups meeting the most stringent requirements of environmental protection.

- 2,800 Premier Tech team members in 22 countries
- 800 PTA team members ensuring a local presence in 9 countries
- 25 experts dedicated to IR&D
- 100,000 Ecoflo® filters installed



2 Whitehouse Way, South West Industrial Estate,
Peterlee, Co Durham, SR8 2RA UNITED KINGDOM.
☎ +44 (0) 8702 640004 | 📠 +44 (0) 8702 640005
ptauk-sales@premiertech.com
PREMIERTECHAQUA.CO.UK



The information contained in this document is not contractual. It is based on the most up-to-date information available at the moment of publication and its purpose is to provide you with a general presentation of our products. We offer no guarantee and make no representation whatsoever as to the accuracy of this information. We continually improve our products and reserve the right to amend, add or change the technical specifications and prices without prior notice. Ecoflo® is a brand of Premier Tech Ltd. The Ecoflo® Coco Filter is protected under patents: CA2149202; CA2499637; US5618414; US7097768; ES2131396; ES2285173; EP0836585 (in BE, CH, FR, GB, IE, IT, LI, NL); EP1539325 (in BE, FR). Notice issued on 2014-08-19. For current data regarding all patent application(s) and patent(s) for this product or any part thereof, consult the website patentmarking.premiertech.com (references: 8367, 3685).

© Premier Tech Ltd, 2015